

1. Cut pipe so that the height of the finished drain is at or just below the height of the finished floor. (See Zurn Engineering Handbook or EZ1™ Submittal for dimensional heights). Ensure pipe is cut square and free of burrs or debris. See Fig. 1

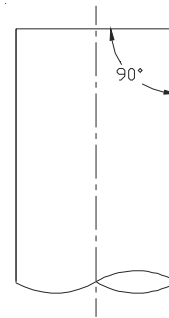


Fig. 1

2. Install drain body on pipe and pressure test connection per local code requirements. See Fig. 2 (Neo-loc body shown for reference)

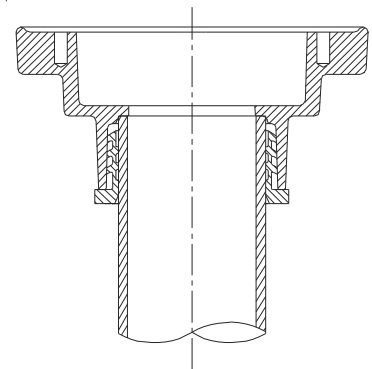


Fig. 2

3. Pour the rough floor slab flush with the top of the drain body.  
See Fig. 3

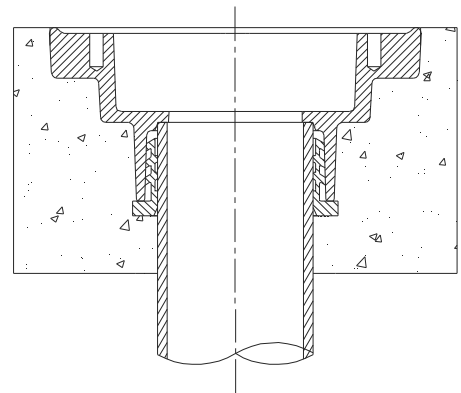


Fig. 3

**⚠ WARNING:** Cancer and Reproductive Harm - [www.P65Warnings.ca.gov](http://www.P65Warnings.ca.gov)  
**⚠ ADVERTENCIA:** Cáncer y daño reproductivo - [www.P65Warnings.ca.gov](http://www.P65Warnings.ca.gov)  
**⚠ AVERTISSEMENT:** Cancer et effets néfastes sur la reproduction - [www.P65Warnings.ca.gov](http://www.P65Warnings.ca.gov)

**Zurn Industries, LLC | Specification Drainage Operation**  
1801 Pittsburgh Avenue, Erie, PA U.S.A. 16502 · Ph. 855-663-9876, Fax 814-454-7929  
In Canada | **Zurn Industries Limited**  
3544 Nashua Drive, Mississauga, Ontario L4V 1L2 · Ph. 905-405-8272, Fax 905-405-1292  
[www.zurn.com](http://www.zurn.com)

Rev. -  
Date: 05/24/17  
C.N. No. 136458  
Form No. FD97

4. Install the waterproofing membrane per the manufacturers instructions. See Fig. 4

Secure the clamp collar to the body with the supplied 3/8-16 x 3/4 hex washer head cap screw. (Do not overtighten, Max. torque 8 ft-lbs [11 Nm])

**Note: Clamp collar can be inverted for a lower rough-in height.**

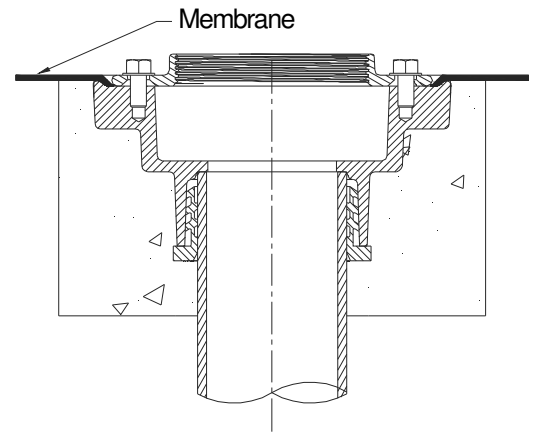


Fig. 4

5. Install rough-in cover assembly into clamp collar.



Adjust rough-in cover assembly so the top of the rough-in cover is at the finish floor grade. See Fig. 5

**Note: Ensure rough-in cover is tight to the concrete shield so no concrete seeps into the assembly**

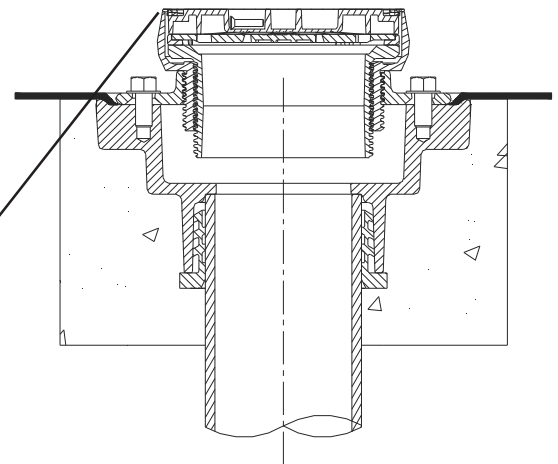
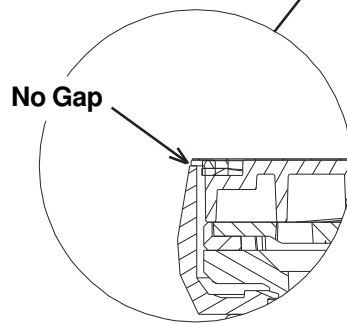


Fig. 5

6. Pour finish floor slab flush to the top of the rough-in cover.

See Fig. 6

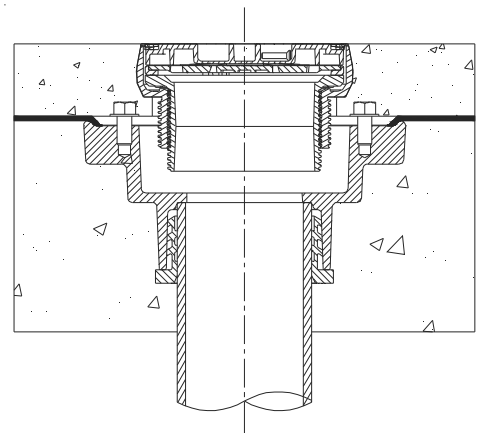


Fig. 6

- Hit the top of the rough-in cover with a pair of adjustable pliers to loosen bond with the concrete. Continue hitting the rough-in cover until a visible crack forms around the entire circumference of the rough-in cover. Rough-in cover should appear loose (lifts up from concrete). See Fig. 7

**Note: Be careful to not hit the finished concrete floor as it will chip/damage the finish. Only hit the plastic rough-in cover.**

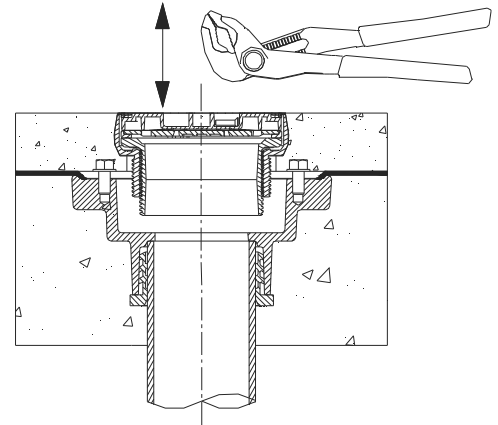


Fig. 7

- Break the protective label in the center of the rough-in cover to expose a slot. See Fig. 8

**Note: Do not remove entire label. Longer screws and adjustment shims are packaged under the label.**

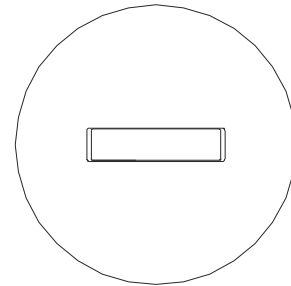


Fig. 8

- Placing the back of the adjustable pliers head in the slot, unscrew the rough-in cover assembly counterclockwise until the tabs of the rough-in cover are above the concrete. See Fig. 9

See Fig. 9

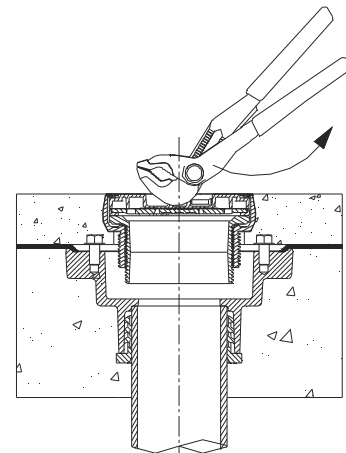
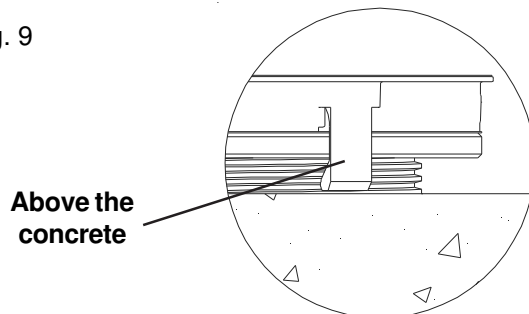
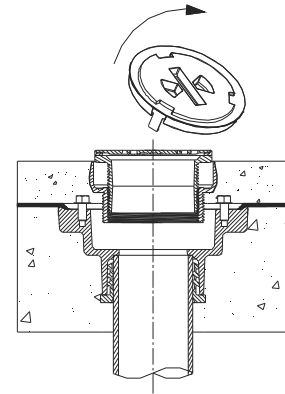


Fig. 9

10. Remove rough-in cover. See Fig. 10

**Note: Do not discard the rough-in cover. Longer screws and adjustment shims are under the label and may be needed to adjust for a tilted drain.**

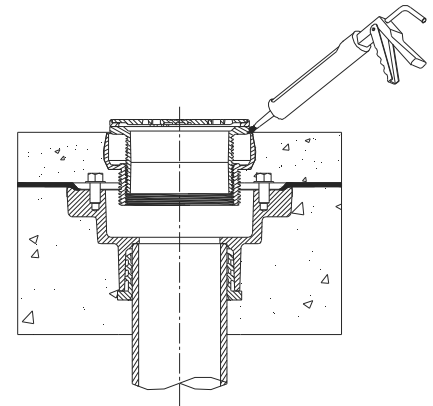


**Fig. 10**

### For Slab On Grade Installation (Steps 11 and 12)

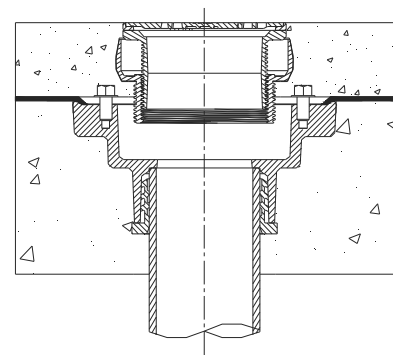
If finished fixture is tilted, See Step 15

11. Place a bead of silicone around the perimeter of the strainer frame. See Fig. 11



**Fig. 11**

12. Turn head assembly clockwise until top of strainer is flush with the finish floor. Wipe away excess silicone. Remove protective label once construction is complete. See Fig. 12



**Fig. 12**

### For Tile Installation (Steps 13 and 14)

If finished fixture is tilted, See Step 15

13. Adjust head assembly to the height of the finished floor.

See Fig. 13

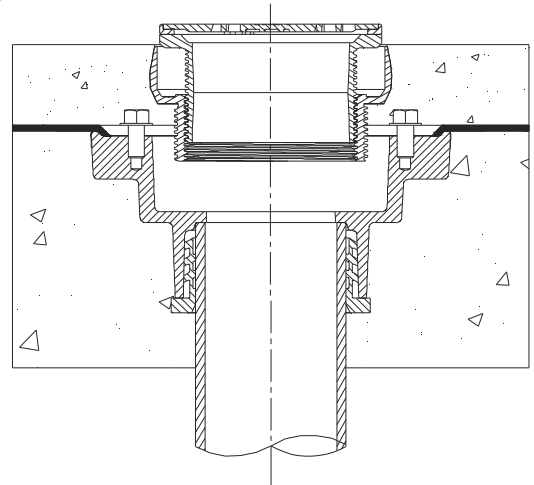


Fig. 13

14. Install finish flooring per manufacturers instructions.

Remove protective label from strainer once construction is complete.

See Fig. 14

If finished fixture is tilted, See Step 15

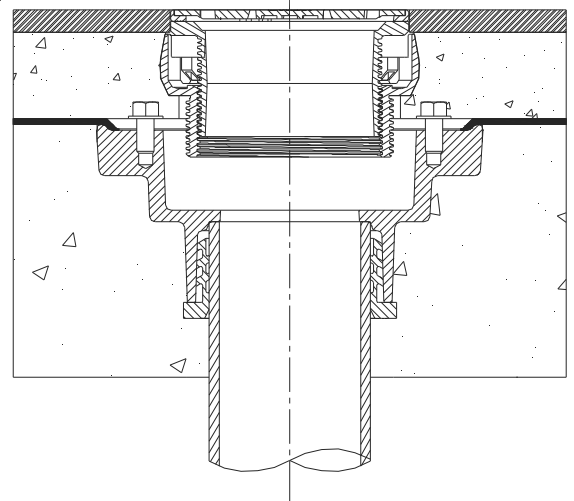
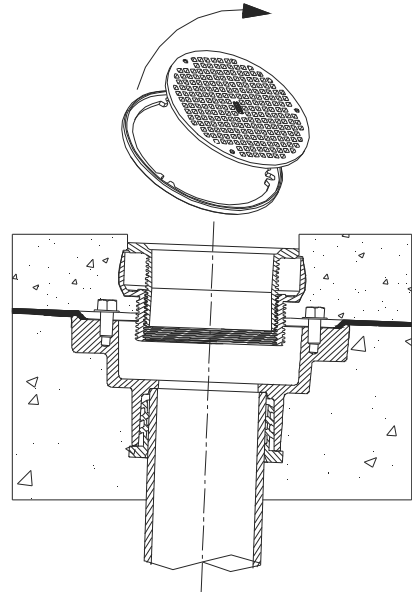


Fig. 14

**For Correcting a Tilted Drain (Steps 15, 16 and 17)**

15. Remove strainer and strainer frame from installed head assembly.

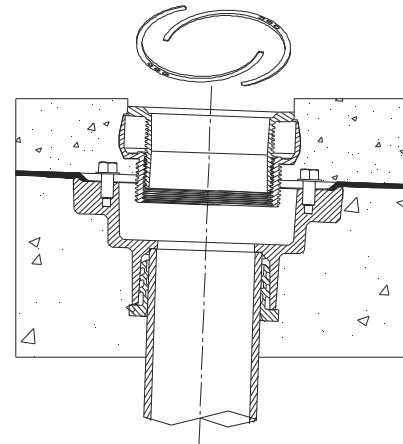
See Fig. 15



**Fig. 15**

16. A shim set and longer screws are included under the label of the rough-in cover.

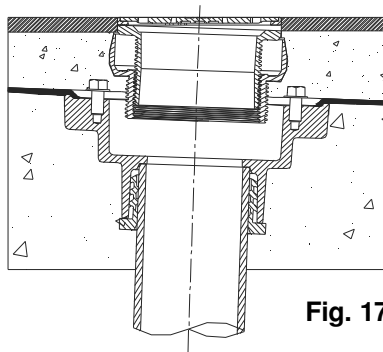
Install shims on shank and adjust/rotate shims as needed to bring strainer level with the finished floor. (Included shims can adjust for up to 1/4" [6 mm] of tilt. See Fig. 16



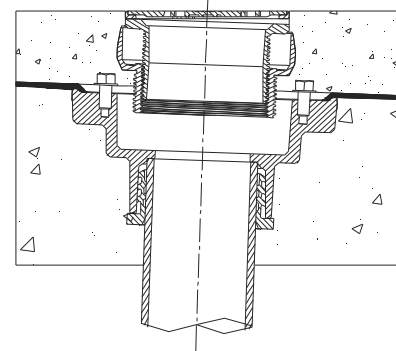
**Fig. 16**

17. Reinstall strainer frame and strainer. Use included longer screws as needed. Torque screws to 16-18 in-lbs [18.5-20.5 cm-kg]

Remove protective label from strainer once construction is complete. See Fig. 17 for Slab on Grade Installation and Fig. 17a for tile installation



**Fig. 17a**



**Fig. 17**